

SAILOR Fleet One is the ideal complement to the Inmarsat Fleet One service, which utilises the existing Inmarsat-4 satellite constellation to deliver satellite voice and connectivity services ideal for use on smaller boats. With its compact, lightweight antenna and simple installation, SAILOR Fleet One is a low-cost entry point to the world of maritime satcoms that keeps you connected at all times.

Data & voice

SAILOR Fleet One enables data connectivity up to 150kbps and voice calling on a single line. Its capabilities offer significant communications functionality for recreational and fishing users who need reliable voice communications and Internet connectivity on board, when cellular networks are not available, or just don't offer the quality needed for good communication.

Unrivalled pedigree

SAILOR Fleet One is designed to the same high standards as the existing SAILOR FleetBroadband product line; quality that more than 60,000 end-users have experienced so far. With ease of use and durability at the forefront, you can trust SAILOR Fleet One to provide reliable, high quality communications whether cruising offshore or fishing for a living.

Easy installation

The SAILOR Fleet One antenna is light and easy to install, even on small boats, and connecting to the below deck equipment is simple enough that keen owners can handle the installation and maintenance themselves. It may be small, but it packs enough power to deliver plenty of bandwidth for email, web browsing and social media sites.

First choice for Fleet One

Built by the people behind the leading SAILOR FleetBroadband range, SAILOR Fleet One is the first choice for boat owners choosing the Fleet One service because it ensures reliable connectivity even on smaller boats that don't have the room, or the budget, for larger satcoms antennas.

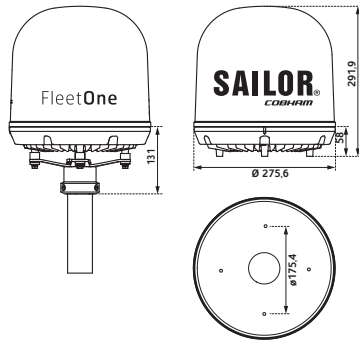


SAILOR® FLEET ONE

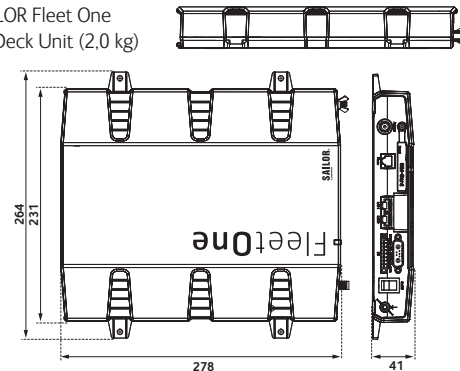
First choice for Fleet One



SAILOR Fleet One
Above Deck Unit (3,9 kg)



SAILOR Fleet One
Below Deck Unit (2,0 kg)



APPROVALS

Inmarsat Fleet One approved. Compliant to RTTE, CE Marked. Testet to FCC part 25

FREQUENCY BAND

Rx	1518 - 1559 MHz
Tx	1626.5 - 1660.5 MHz 1668.0 - 1675.0 MHz
Ch. spacing	10.5 - 189 kHz, Rx 21 - 189 kHz, Tx
Ch. size	1.25 KHz

RECOMMENDED ANTENNA CABLE

Cable loss max/min 20 dB at 1,62 GHz and 1.0 Ω DC loop resistance
max. 3 dB at 36 - max. 4 dB at 54 MHz

POWER SUPPLY AND CONSUMPTION

DC input range (isolated)	10.5V to 32V DC
Power (max), incl. antenna & PoE output	120 W @ 10-32 V

ENVIRONMENTAL CONDITIONS

Ambient Temperature	-25 to +55° C
Storage	-40 to +85° C
Survival (power on, non functional)	-40 to +80° C
Automatic thermal surveillance shuts down system gradually in ease of own temperature	
BDU operating humidity	95% non-condensing at +40° C
ADU enclosure	IPX6
ADU operating humidity	"Exposed" according to EN60 945
BDU enclosure	IP30
Icing (survival)	Max 25 mm

VIBRATION (ADU)

Vibration, operational	Random spectrum 1.05 g rms x 3 axes: 5 to 20 Hz: 0.02 g2/Hz 20 to 150 Hz: -3 dB/octave
Vibration, non-operational	Random spectrum 1.7 g rms 2 h x 3 axes (6 h total): 5 to 20 Hz: 0.05 g2/Hz, 20 to 150 Hz: -3 dB/octave

SHIP MOTION

Roll	+/- 30 deg. per. 4 s, max 0.7 g tan.
Pitch	+/- 15 deg. per. 3 s, max 0.6 g tan.
Yaw	+/- 10 deg. per. 5 s, max 0.3 g tan.
Surge	+/- 0.5g
Sway	+/- 0.5g
Heave	+/- 0.7g
Turning rate	+/- 36°/s; ACC 12°/s²
Headway speed	22 m/s (42 knots)
Wind	100 knots

MECHANICAL SHOCK

20g/11 half-sine

ANTENNA CONNECTOR

ADU	TNC, female
BDU	TNC, female

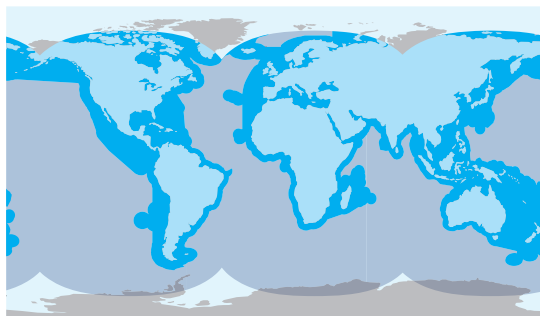
SERVICES

Standard IP	Up to 150 kbps
Streaming IP	-
ISDN Data	-
SMS (standard 3G)	160 characters
Standard Voice	4 kbps

INTERFACES

Ethernet/PoE	2 ports
Phone/Fax (2-wire)	1 port
I/O Connector	1 connector with 5 configurable inputs/outputs
Status LED	LED power indicator
SIM Card Slot	1 SIM Card slot for Fleet One SIM card
Router	Integral DHCP/NAT router
PBX	Built-in PBX

COVERAGE AND RATE REGIONS



■ Voice and data
 ■ Voice only

For further information please contact:

satcom.ohc@cobham.com